

Lancer Evolution IX CT9A (4G63)
Intercooler Kit

Spec V Type 24C

Greddy INTER COOLER KIT

MITSUBISHI EVOLUTION-IX C T 9 A(4 G 6 3)

2 Row S P E C - V T Y P E 2 4 C

I n s t r u c t i o n M a n u a l

Please Read the entire manual before installing this kit.

For Competition/Off-road use only.

A p p l i c a t i o n s

Car Name	Model	Type System	Years
Mitsubishi	Lancer Evolution IX	GH - C T 9 A	2006

Application : OEM turbocharged vehicle.

Bumper modification is necessary for proper installation of this intercooler.

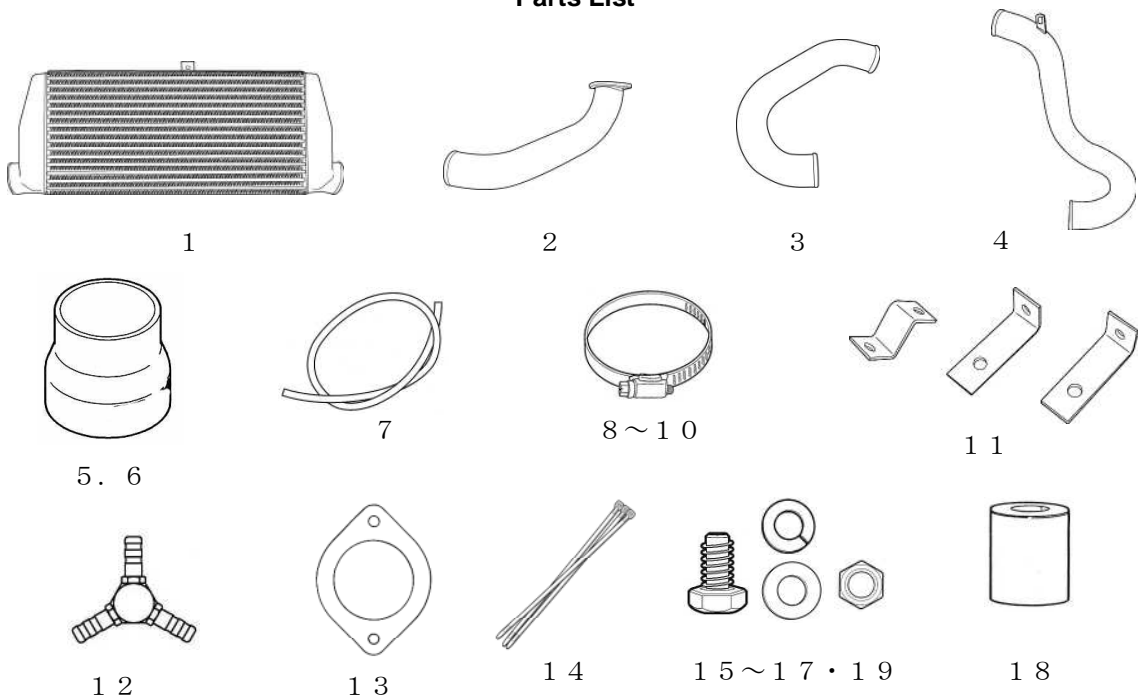


Note This product is only meant to fit the above mentioned vehicles.
Please do not use this product on any other model.

1 . Parts List

1 . Intercooler	(Type 24C)									1
2 . Intake Tube	I - 1	(5 0 ϕ Aluminum)								1
3 . "	I - 2	(6 0 ϕ Aluminum)								1
4 . "	I - 3	(6 0 ϕ Aluminum)								1
5 . Silicone Hose	PRIME	5 0 ϕ - 6 0 ϕ	Reducer							1
6 . "		6 0 ϕ - 7 0 ϕ	Reducer							2
7 . "		5 ϕ \times 5 0 0 mm								1
8 . Hose Clamp	5 0 ϕ	Tridon	# 3 2							1
9 . "	6 0 ϕ	Tridon	# 3 6							3
1 0 . "	7 0 ϕ	Tridon	# 4 4							2
1 1 . Steel Stay										1
1 2 . 3 Way Joint	5 ϕ									1
1 3 . Gasket										1
1 4 . Zip Tie	1 5 0 mm									5
1 5 . 6 mm \times 1 5 mm	P = 1 . 0	Stainless	B	S/W	F/W	N				2
1 6 . 8 mm \times 1 5 mm	P = 1 . 2 5	Stainless	B	S/W	F/W	N				2
1 7 . 8 mm \times 2 0 mm	P = 1 . 2 5	Stainless	B	S/W	F/W	N				1
1 8 . Aluminum Spacer	2 0 mm									2
1 9 . 8 mm \times 3 5 mm	P = 1 . 2 5	Stainless	B	S/W	F/W					2

— Parts List —



2. Stock Parts Removal

Please refer to the Manufacturer Repair Manual for proper procedure for stock parts removal.

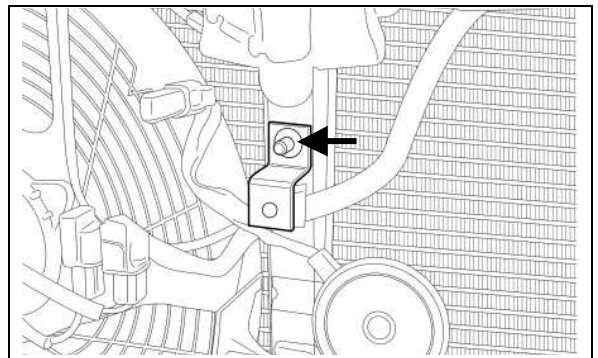
- 2 – 1 Remove the Negative terminal from the battery.
- 2 – 2 Remove all engine under covers.
- 2 – 3 Remove front bumper cover.
- 2 – 4 Remove the air outlet fitting.
- 2 – 5 Remove air hose A/B/C and air pipe A/B.
- 2 – 6 Remove the stock Intercooler.

3. Kit Installation

3 – 1 Intercooler Installation

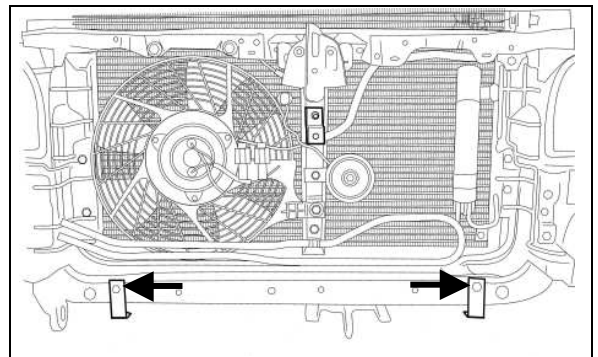
- (1) Install the steel stay as shown in the image.
Utilize the factory nut to secure the stay.

Parts used: < 1 1 >



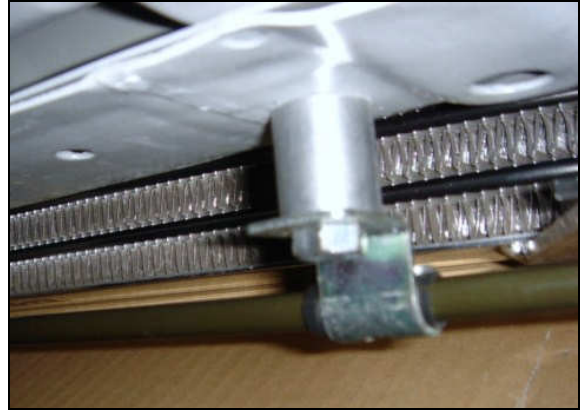
- (2) Install the other 2 steel stays in the positions shown in the image. Utilize #16 hardware.

Parts used: < 1 1 , 1 6 >



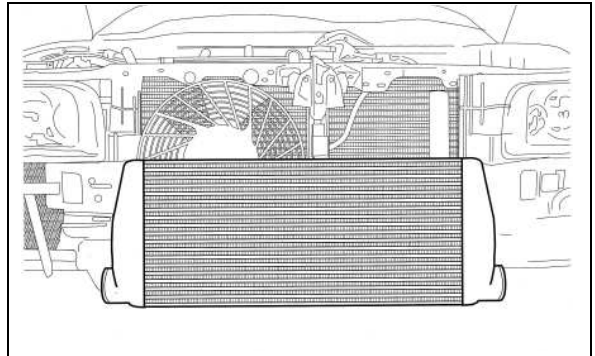
- (3) Use the provided 20mm spacer and M8 bolts to mount the steel pipe to the frame in two locations.

Parts used: < 1 8, 1 9 >



- (4) Install the Intercooler securing it with #17 hardware to the stays installed in part 1 & 2 above.

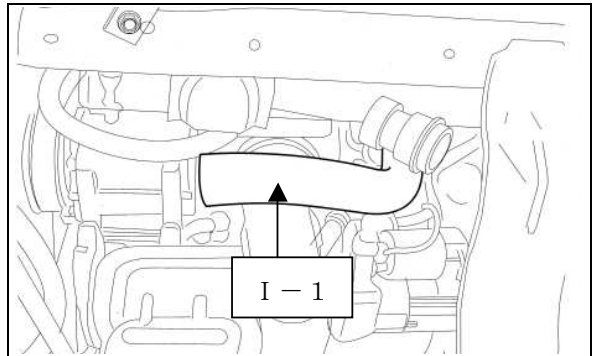
Parts used: < 1, 1 5, 1 7 >



3 – 2 Intercooler Inlet side piping

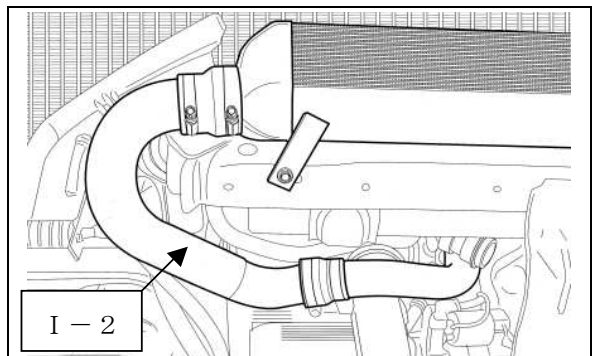
- (1) Install the Intercooler piping I-1 using the provided gasket.

Parts used: < 2, 1 3 >



- (2) Install Intercooler piping I-2 between the Intercooler inlet and I-1 as shown. Use the provided silicon hoses and hose bands.

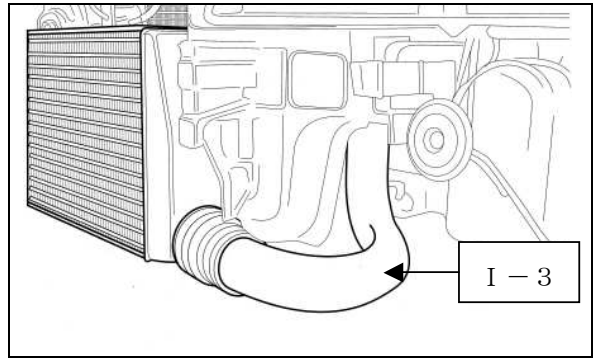
Parts used: < 3, 5, 6, 8, 9, 1 0 >



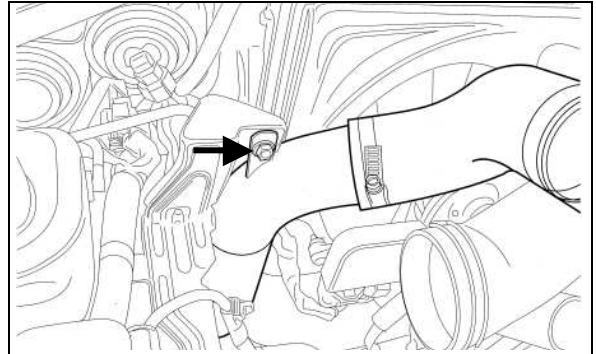
3 – 3 Intercooler Outlet side piping

- (1) Install intercooler piping I-3 on the intercooler outlet as shown. Use the provide silicon hoses and hose clamps.

Parts used: < 4 , 6 , 9 , 1 0 >



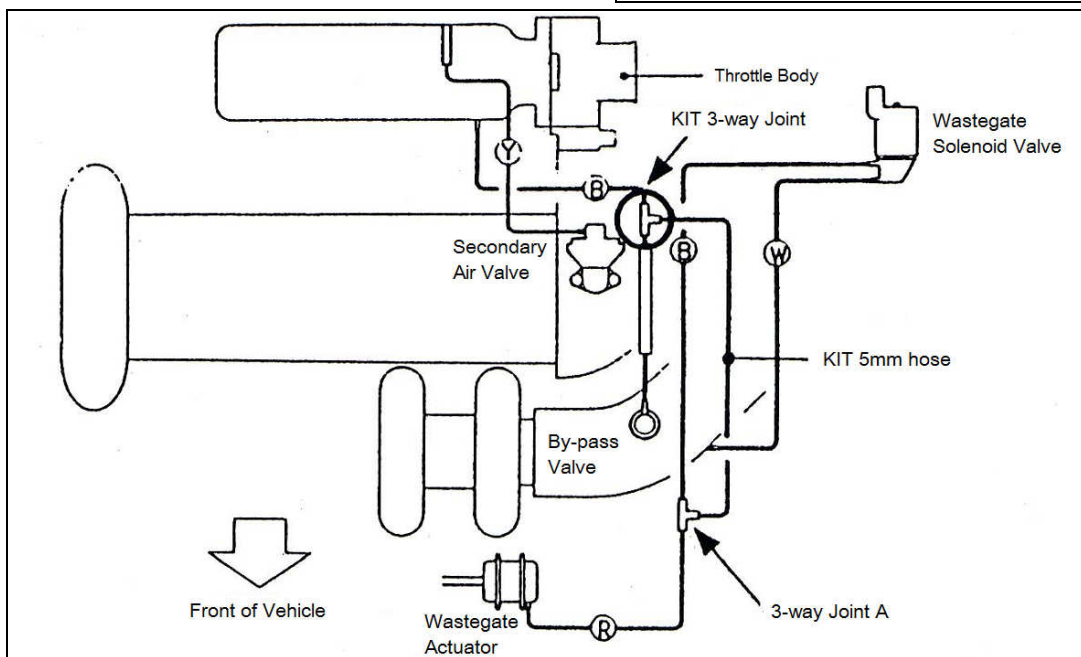
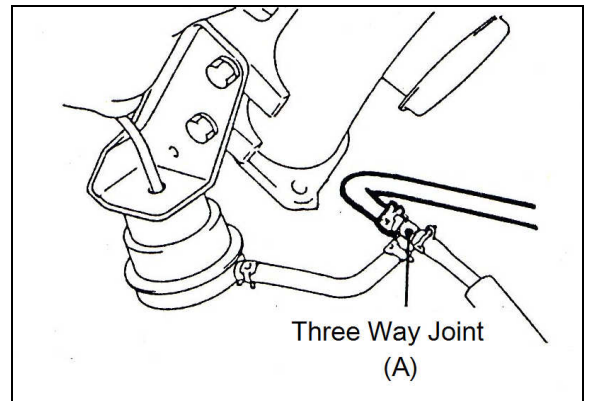
- (2) Position Intake tube I – 3 as shown, mounting the bracket to the stay with the OEM bolt.
※For vehicles with the GReddy radiator, please use spacers for proper installation



3 – 4 Vaccum Line Installation

Use the provided 5φ rubber hose and three-way joint to connect the air by-pass vacuum line to the waste-gate actuator vacuum hose three-way joint (A).

Parts used: < 7 , 1 2 , 1 4 >



3 – 5 Front Bumper Cover Modification

- (1) In order to prevent bumper parts from hitting the intercooler, trim the shaded areas in the image.

Note When performing the modifications to the bumper, wear goggles.



Note

Be sure to cover the metal that was cut with paint to prevent rust.



- (2) Arrange the water spray hose as shown, then install the bumper.



3 – 6 Starting the Engine

- (1) Please inspect all of the piping.
 - ※Parts 18 and 19 are used for US Spec vehicles only.
- (2) Reattach the negative terminal of the battery.
- (3) While idling, inspect each pipe and hose coupling for any air leaks or unusual noises.

Intercooler Kit installation is completed.